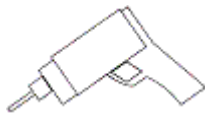
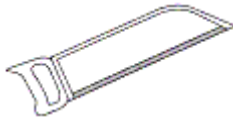
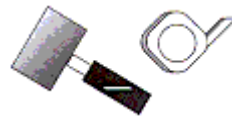


PRIVACY FENCE INSTALLATION GUIDE**REQUIRED TOOLS**

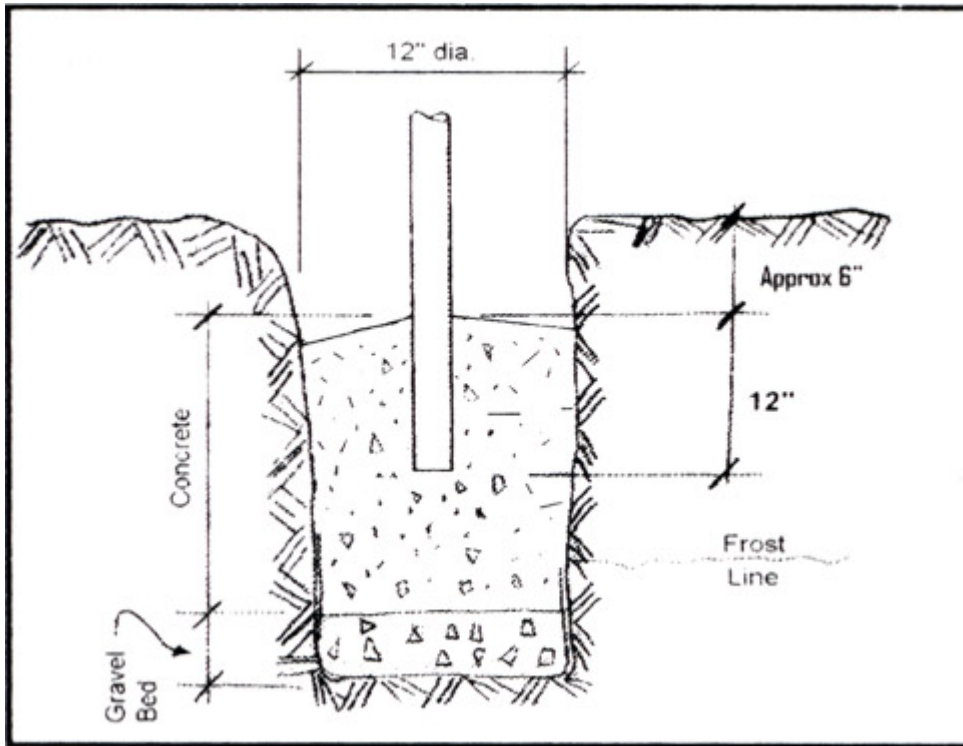
- Drill
- 3/8" hex bit
- #10 Robertson bit OR #2 square drive



- Hacksaw or Mitre Saw

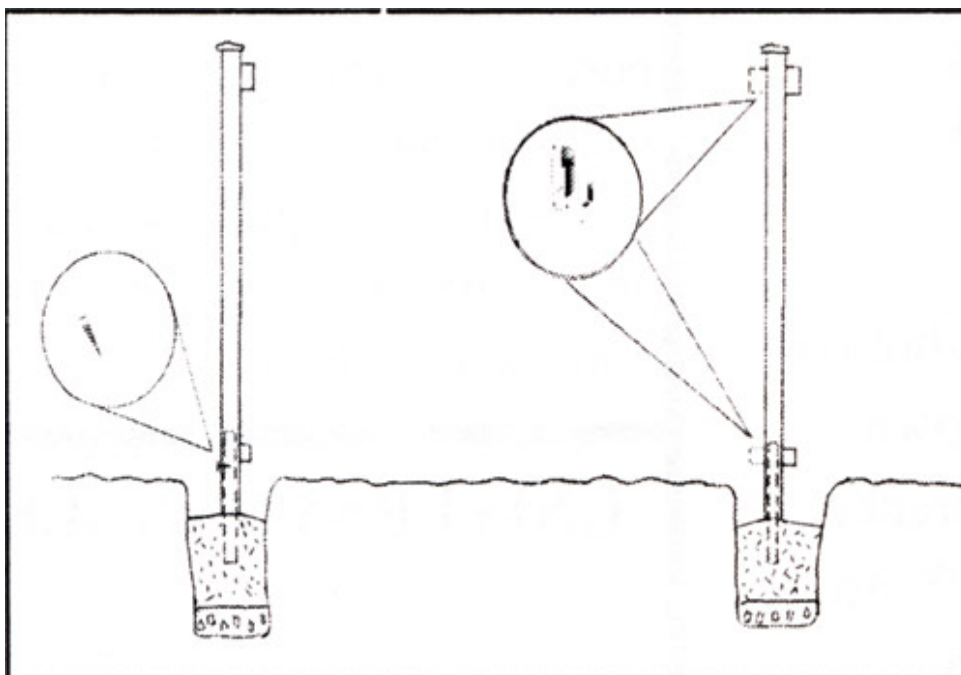


- Tape Measure
- Rubber Mallet

4 EASY STEPS**STEP 1**

Dig a hole below frost line. Fill holes with gravel and concrete 6" down from ground level to allow for post adjustment. Plumb and level the mounting tubes (supplied with post).

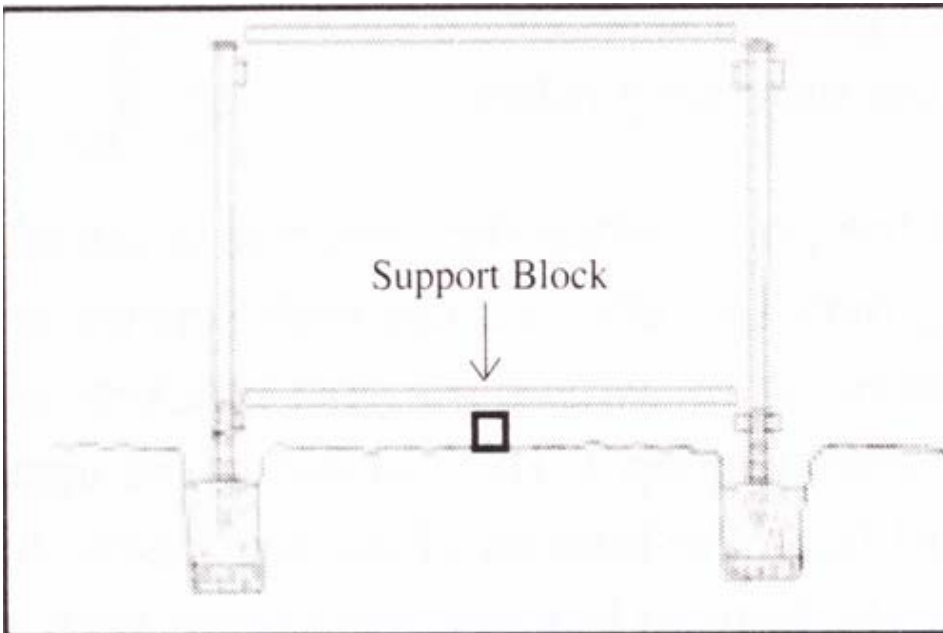
Lay-out the fence using stakes and string, mark post locations, including gates. Check your local building department for frost line depth.

**STEP 2**

Install the posts when the concrete is cured by mounting over the tube.

Secure with screws at the bottom to prevent twisting. Attach the supplied post brackets where shown. Check for plumb.

Measure from the top 1-1/2" to the top of upper bracket sleeve and from the bottom of the top sleeve 66-3/8" to the top of the bottom bracket and secure with screws. When the fence is being installed on slopes, the post brackets on one side must be attached lower to accommodate drops maintaining the same 66-3/8" distance between brackets.

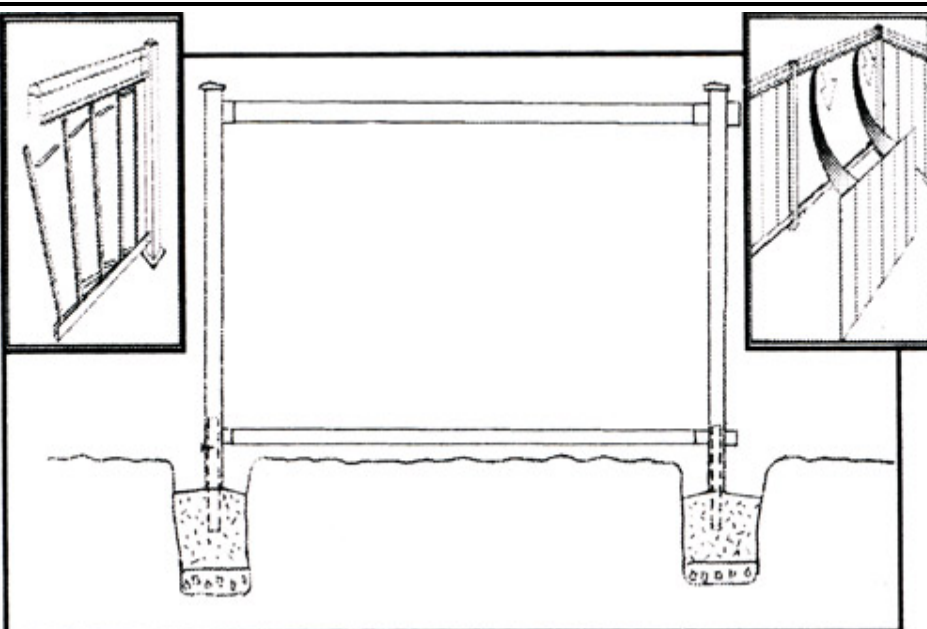
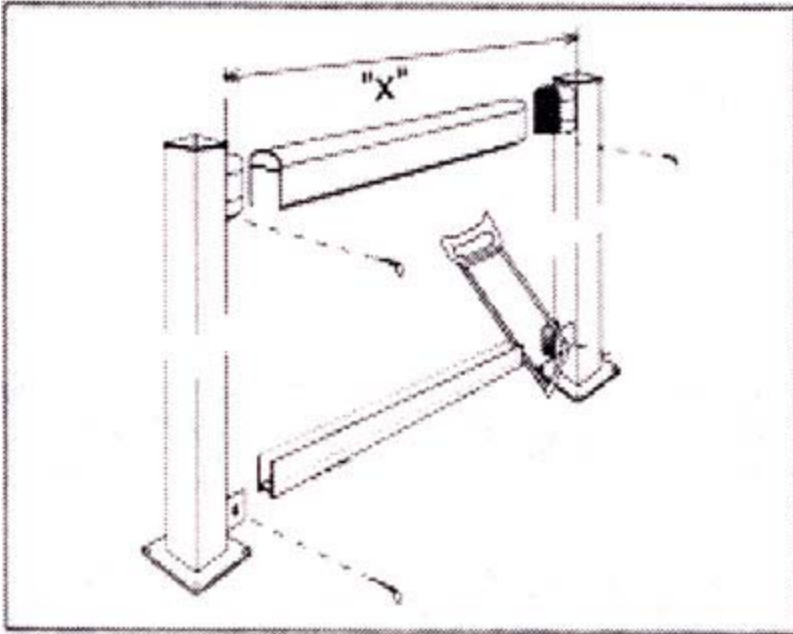
**STEP 3**

Cut to length and install the top and bottom rails Spacing of posts should be 8 feet or LESS on center.

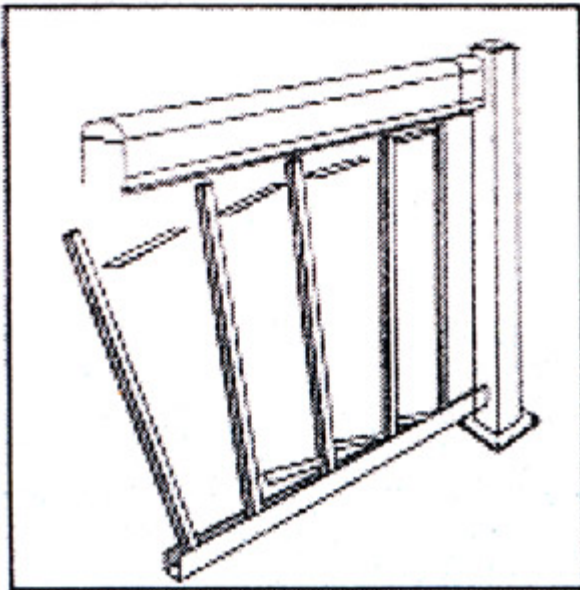
Place temporary support under bottom rail.

Cut to length and install the top and bottom rails based on the distance between posts.

Maximum distance between posts is 8 feet on center. Secure top and bottom rails with self-tapping screws. Drill a 3/16" hole through the bottom rail for drainage. Black the bottom rail underneath before installing fence board or picket. Picket or fence board should be screwed to the top and bottom of each fence section to align the bottom rail.

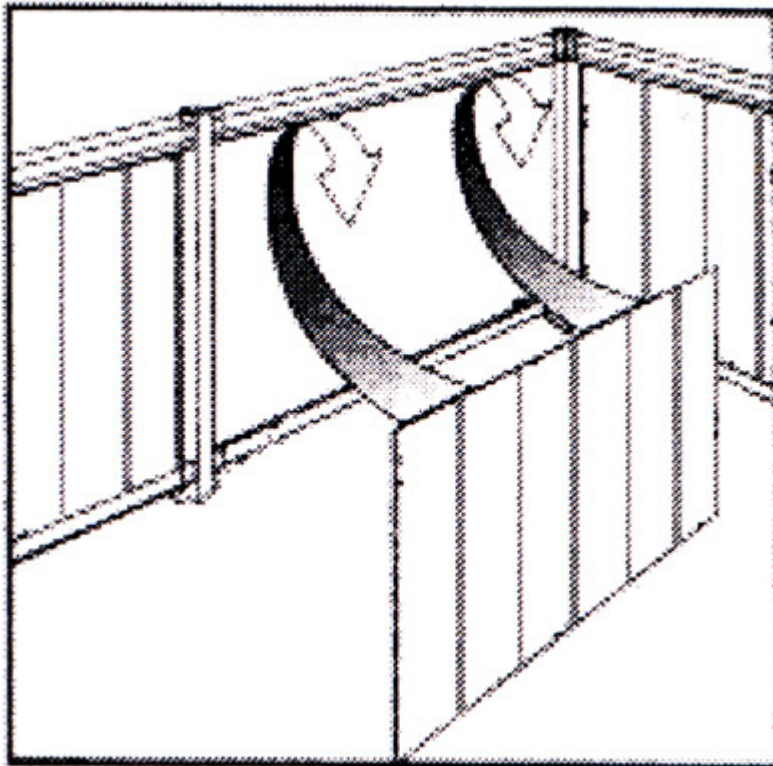
**STEP 4**

Finish your fence by snapping in the pickets or sliding in the fence boards. Attach screws to the top and bottom rail as show in Fig.



Pickets Installation:

Start against one post and snap a spacer into top and bottom rail using a rubber mallet. Insert a picket and tap it tight to the spacer. Repeat the procedure then install last 2 or 3 pickets before snapping on spacers. Cut the last spacer to fit.



Boards Installation:

Slide board 1 or 2 at a time up into the top rail and down into bottom rail. Secure the first board to the post using screws. Continue installing boards, screwing last-but one board into top and bottom rail and secure last board to post. Install optional vinyl trim.

GATES

Fits 48" wide opening and may be adjusted by cutting to desired size allowing 2 inches for hinges and 2 inches for latch. Assembly instructions supplied with Gate.

UNIVERSAL ANGLE BRACKET (UAB)

Universal Angle Bracket accommodate any angle or incline along your fence. Follow the same procedure as installing post brackets.

