

AZEK Deck/Rim Joist Covers should be installed using the same good building principals used to install wood or composite decking and in accordance with the local building codes and the installation guidelines included below. AZEK Building Products Inc. accepts no liability or responsibility for the improper installation of this product. AZEK Deck/Rim Joist Covers may not be suitable for every application and it is the sole responsibility of the installer to be sure that AZEK Deck/Rim Joist Covers is fit for the intended use. Since all installations are unique, it is also the installer's responsibility to determine specific requirements for each Deck application. AZEK Building Products recommends that all applications be reviewed by a licensed architect, engineer or local building official before installation. If you have any questions or need further assistance, please call AZEK Customer Service at 1-877-ASK-AZEK, (877) 275-2935 or visit our website at www.azek.com.

STORAGE

- Store AZEK Deck/Rim Joist Covers on a flat and level surface.
- Do not stack bundles over 8 units high.
- When possible, leave factory applied protective wrap on the product to help protect against dirt and debris.
- Use care when handling product with a forklift as forks can easily damage the material.
- If banding is used, use protective corners to prevent indents from the bands.
- Avoid storing AZEK Deck/Rim Joist Covers in areas of excessive heat.

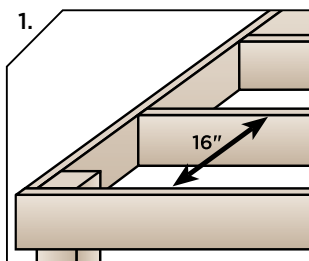
PREPARATION

Follow these guidelines for best deck installation.

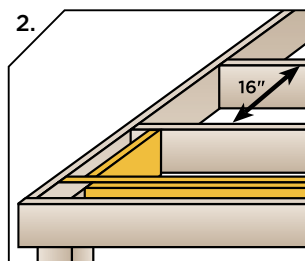
- AZEK Deck/Rim Joist Covers are one-sided products. Deck boards are to be installed with the grain side up for the walking surface. Rim Joist Covers are to be installed grain side out.
- Prior to installation, check to make sure all joists are level, structurally sound, and there are no nails or screws protruding.
- Ensure that all joists are crowned correctly and that all joists are level across the top as AZEK Deck will conform to the surface contour of the substructure.
- Proper joist spacing is required for proper installation.
- All deck frames and substructure should be securely attached to ground footings or building structure. No floating substructures should be used.

For correct joist spacing:

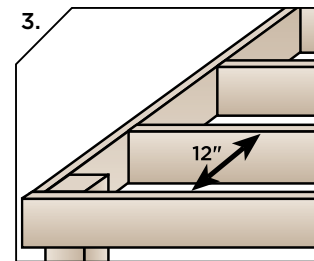
- Do not exceed 16" center to center for applications with deck board perpendicular to joists.
- Do not exceed 12" center to center for commercial applications.
- For deck boards on a 45° angle, such as a herringbone pattern, the joists should not exceed 12" center to center.
- AZEK Deck has a maximum span of 16".



1.
16" BASIC INSTALLATION
SUBSTRUCTURE
16" on center maximum joists.
(12" for commercial applications)



2.
PICTURE FRAME INSTALLATION
SUBSTRUCTURE
16" on center maximum joists plus additional support for picture frame structure
(12" for commercial applications)



3.
DIAGONAL INSTALLATION
SUBSTRUCTURE
12" on center maximum joists.

TOOLS REQUIRED

AZEK Deck materials can be installed using similar tools as you would use to install wood decking or composite decking.

- Corded or cordless driver/screw gun may be used.
- Self-feeding screw guns can be used.
- Miter saw with a fine-toothed, carbide-tipped finish trim blade (12"-60 tooth minimum) works well for cutting.
- As with wood or composite decking, safety glasses should be worn during the entire installation process.

FASTENERS

- Due to the durability of AZEK Deck products, a high-quality fastener is recommended that meets the following specifications:
 - Stainless Steel
 - Minimum Screw Size: #7
 - Face screws to be a minimum length of 2 1/4"
- Avoid using flathead screws. Trim head screws typically provide a better result. As always, you should try the fastener in a sample board before using on your deck.
- Be sure to install 2 screws per joist on each deck board.
- For salt water coastal applications, we suggest using the above minimum fastener requirements in 316 stainless steel.
- Color-matched stainless steel deck screws are also available. Your AZEK Building Products dealer can assist with more information on these products.
- Hidden Fasteners:
 - Tiger Claw® TC-P, Fastenmaster's Cortex®, HIDfast™, and CAMO™ fasteners are some hidden fastener systems commonly used by contractors installing AZEK Deck. Before using other types of hidden fasteners, check with the manufacturer of the fastener and/or AZEK customer service to ensure compatibility.
- **WARNING:** When installing AZEK Deck with hidden fasteners, always use a beater board against side of deck board. Do not strike deck board directly with hammer or rubber mallet.

**Tiger Claw is a registered trademark of Tiger Claw Incorporated. Cortex is a registered trademark of Handy & Harman Corporation. HIDfast is a trademark of HIDfast. CAMO is a trademark of National Nail Corporation.*

CONSIDERATIONS

- Depending on environmental conditions, AZEK Deck/Rim Joist Covers colors may appear to lighten over time as part of the natural weathering process.
- Please be aware that excessive heat build on the surface of AZEK products from external sources such as but not limited to fire, or reflection of sunlight can potentially lead to damage. For example, sunlight which may be reflected by low-emissivity (Low-E) glass can potentially lead to damage of exterior building products, including AZEK Deck/Rim Joist Covers, Trim, Moulding or Railing products, due to elevation of surface temperatures which far exceed that of normal exposure of the same materials to direct sunlight. Possible damage by such reflected concentrated light may include melting, sagging, warping, distortion, surface discoloration, increased expansion or contraction, and unusual weathering.
- Although AZEK Deck is cooler to the touch than many other deckboards in similar colors, all decking products will get hot in the sun. Additionally, the darker the decking color, the hotter it will feel.
- Always remove jobsite dust, clay, dirt, mud, and other construction products from AZEK Deck/Rim Joist Covers quickly. Do not allow construction dirt and debris to sit on the AZEK Deck surface.
- **IMPORTANT:** Do not allow airborne dust from concrete, landscape blocks, or any masonry product to accumulate on the AZEK Deck/Rim Joist Covers surface as it may damage the surface of the deck. Do not cut any product on or near AZEK Deck/Rim Joist Covers.

CARE AND MAINTENANCE

To keep your AZEK Deck looking its best:

- It is recommended that you wash your deck periodically with ordinary household products to remove stains, dirt and debris.
- To remove rust stains, use a household cleaner such as a toilet bowl cleaner.
- Avoid the use of rubber-backed mats, tarps, pool toys, and other non-porous items on the deck for any extended period of time as these items may cause discoloration to the decking surface.
- Some products, such as sunblock and insect repellent, contain chemicals that may alter the surface of AZEK Deck/Rim Joist Covers. Check product labels and consult with the manufacturer as to product compatibility with plastic materials, such as AZEK Deck/Rim Joist Covers, prior to use on or near AZEK Deck/Rim Joist Covers.
- Do not get any PVC glue or similar product on the surface of any AZEK Decking Product as it may discolor and permanently damage the surface.

For ice removal:

- Most products containing calcium chloride can be used without damage to the deck surface.
- These products may leave a white residue which can be cleaned using the cleaning guidelines above.
- Metal shovels may damage the surface of AZEK Deck and are not recommended for clearing snow from deck surface.

(These guidelines may not cover every care and maintenance scenario encountered. For additional questions about care and maintenance, call (877) ASK-AZEK.)

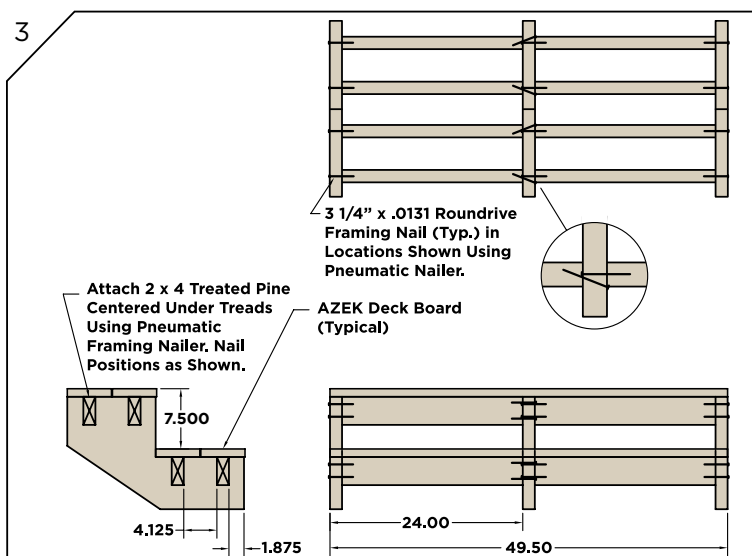
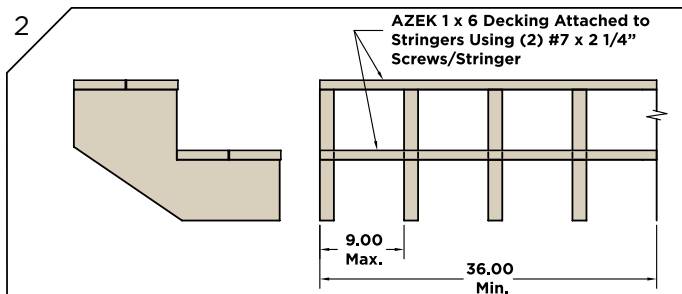
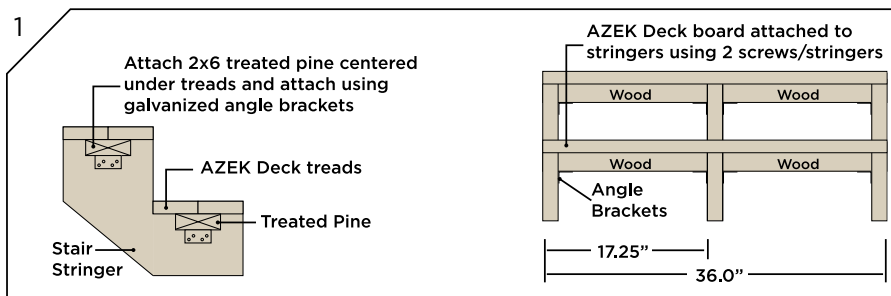
EXPANSION AND CONTRACTION

AZEK Deck/Rim Joist Covers will have minimal expansion and contraction with changes in temperature, unlike wood whose size will fluctuate with moisture changes. The expansion and contraction encountered may result in slight gaps which might be noticed at the ends of boards or in splice joints. Fastening the deck boards according to the Installation Guidelines will help minimize expansion and contraction.

- Expansion and contraction are most significant where extreme temperature change may exist.
 - Best practice is to cut and fasten the deck boards as soon after cutting as possible.
 - Install the boards together tightly at splices or miters.
 - Be sure to fasten ends of boards, splices, or abutments to building or structure securely into framing using 2 screws which are positioned within 1/2" of each board end or joint.
 - Provide a 1/8" to 1/4" gap between deck boards.
 - For best results, stagger splices and miters across deck surface so that all splices and miters do not break on the same joist.
 - To further minimize expansion and contraction, proper ventilation and air flow should be considered.
- Some area building codes may require double joisting when joining boards end to end. Always check with your local code authority for specific requirements before installation.

STAIR CODE COMPLIANCE

In order to meet the AC174 Requirement for stair loading, follow one of the methods below.



In addition to the installation guidelines outlined in the previous pages, AZEK Rim Joist Covers should be installed using the following considerations.

RECOMMENDED FASTENERS

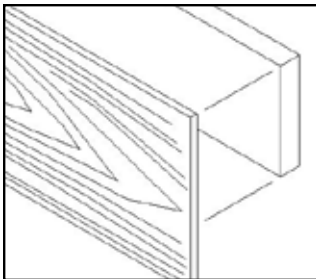
- Due to the durability of AZEK Deck products, a high-quality fastener is recommended that meets the following specifications:
 - Stainless Steel
 - Minimum Screw Size: #7
 - Face screws to be a minimum length of 1 3/4"
- Avoid using flathead screws. Trim head screws typically provide a better result. As always, you should try the fastener in a sample board before using on your deck.
- For salt water coastal applications, we suggest using the above minimum fastener requirements in 316 stainless steel.
- Color-matched stainless steel deck screws are also available. Your AZEK Building Products dealer can assist with more information on these products.

STORAGE

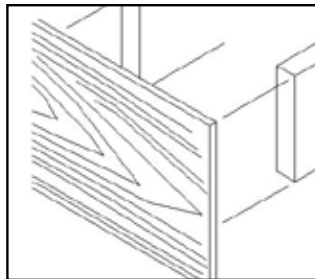
- Store rim joist cover in a cooler, shady area prior to installation.
- Store rim joist covers on a flat solid surface.

RIM JOIST COVER ATTACHMENT

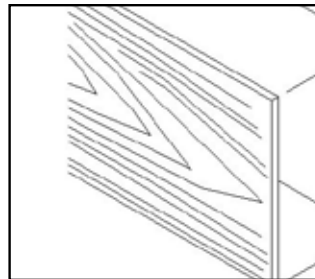
- Attach rim joist cover to a solid backer wide enough to support the entire width of the rim cover. Use 2 x 12 wood rim board or rip cut rim joist cover to fit exactly.
- Use a quality exterior rated construction adhesive as shown below.
- Install three (3) screws from top to bottom with top and bottom screws positioned no more than 1/2" from the edge as shown below. The third screw should be approximately centered in the board. Repeat this configuration every 12". Screws at ends of boards should be no more than 1/2" from the end.



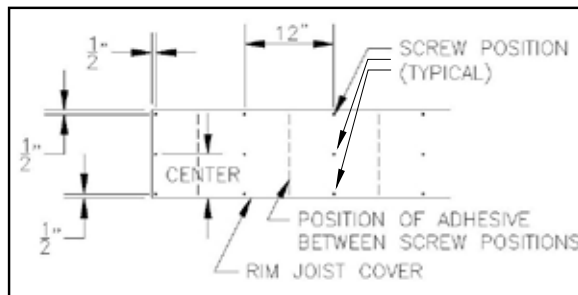
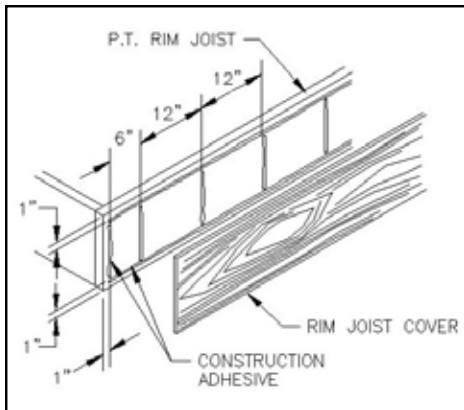
No!



No!



Correct!



The techniques shown above should be used for best results. Results may vary as expansion and contraction could still occur. AZEK Building Products Inc. claims no liability or responsibility for the improper installation of this product. Since all installations are unique, it is the sole responsibility of the installer to determine specific requirements in regard to each decking application. AZEK Building Products recommends that all designs be reviewed by a licensed architect, engineer or local building official before installation. Please contact AZEK Customer Service prior to installing if you have question or concerns.